

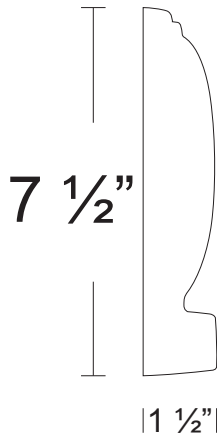
TEL 916-386-1430  
FAX 916-386-0605

**HANDALSTONE**

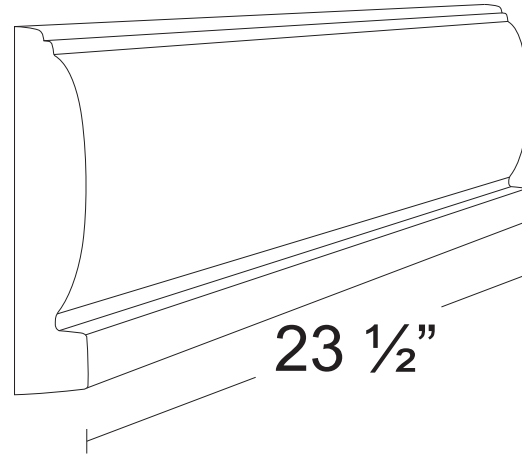
Handalstone@sbcglobal.net  
www.handalstone.com

## Molding

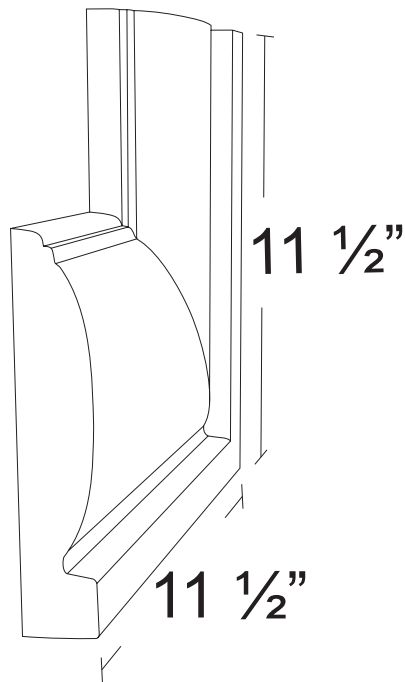
Product Code: M44



**M44-7.5**



**M44-7.5-S**



**M44-7.5-C**