

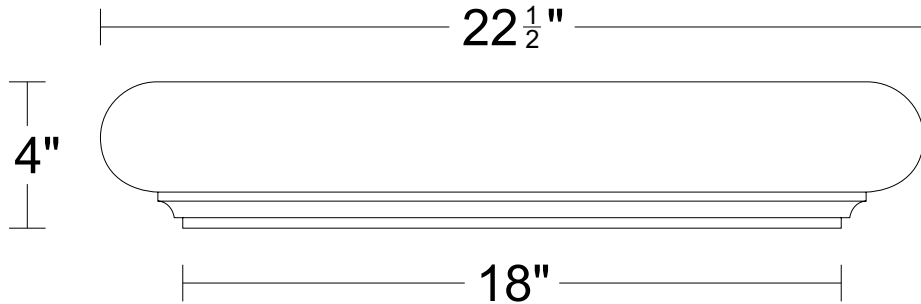
TEL 916-386-1430
FAX 916-386-0605

HANDALSTONE

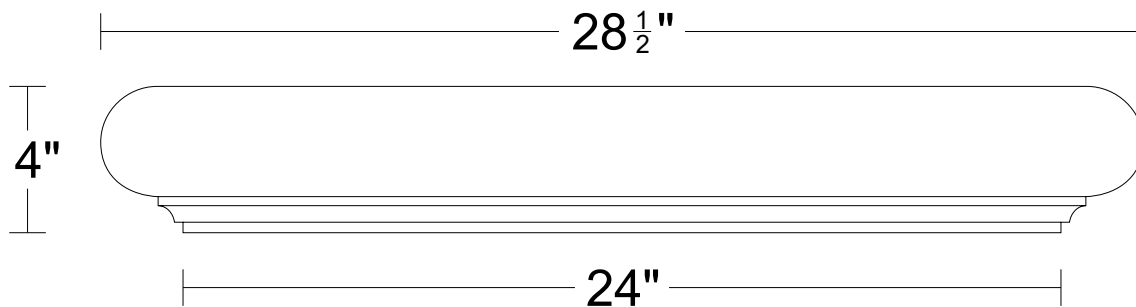
Handalstone@sbcglobal.net
www.handalstone.com

Pier Caps

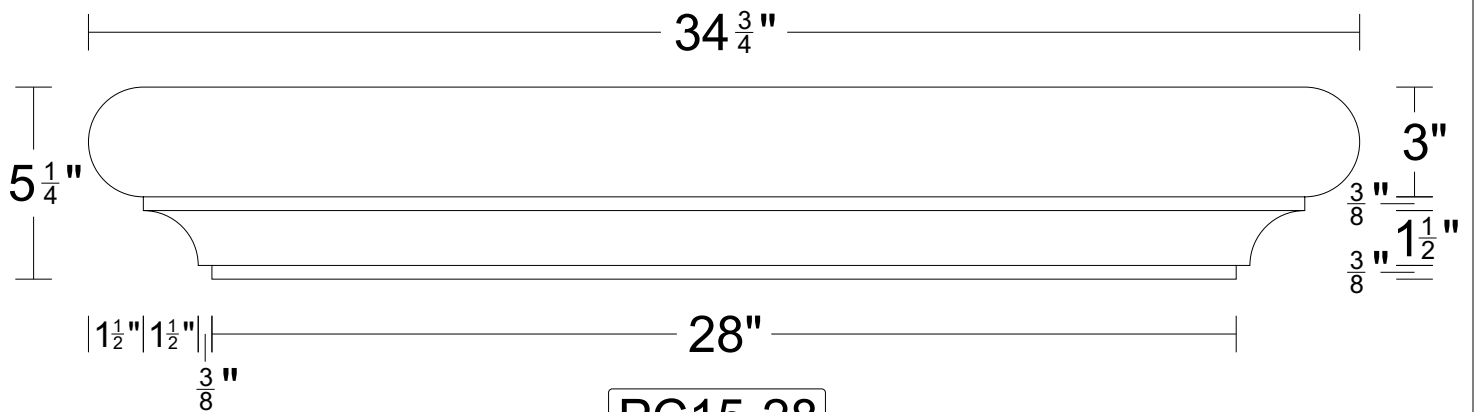
Product Code: PC15



PC15-18



PC15-24



PC15-28