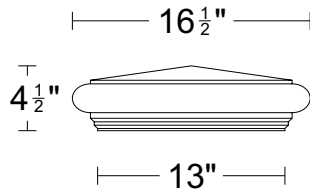
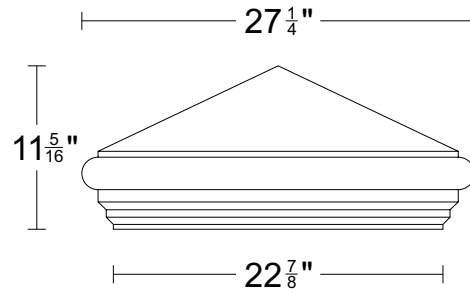


## Pier Caps

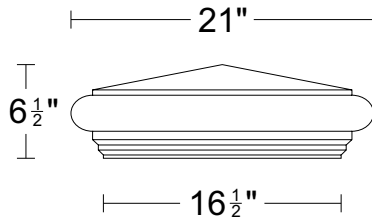
Product Code: PC16



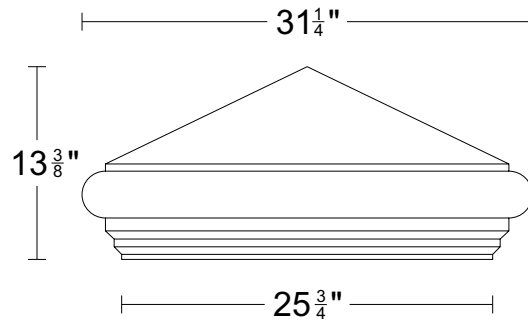
**PC16-13**



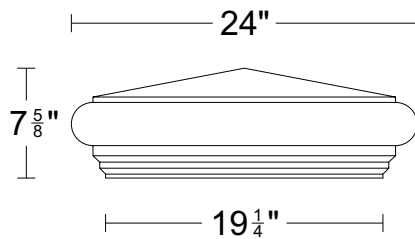
**PC16-22X11**



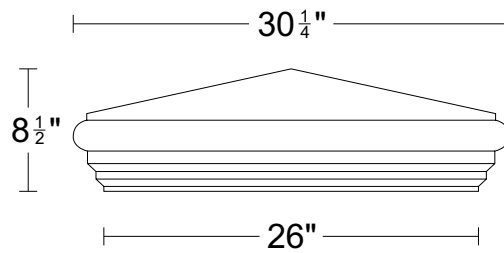
**PC16-16**



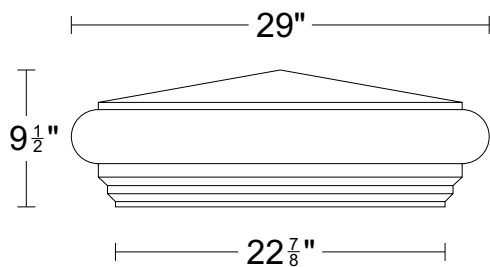
**PC16-25**



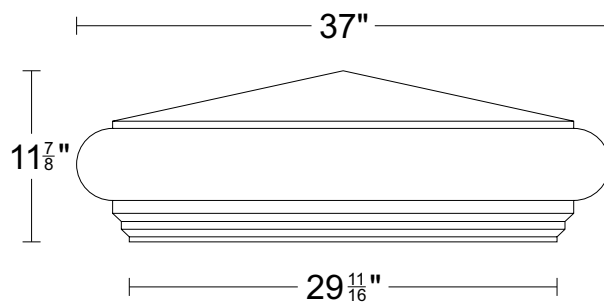
**PC16-19**



**PC16-26**



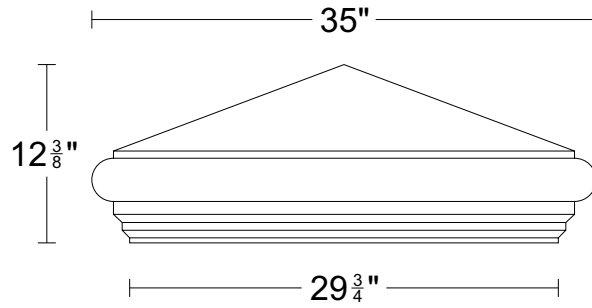
**PC16-22X9**



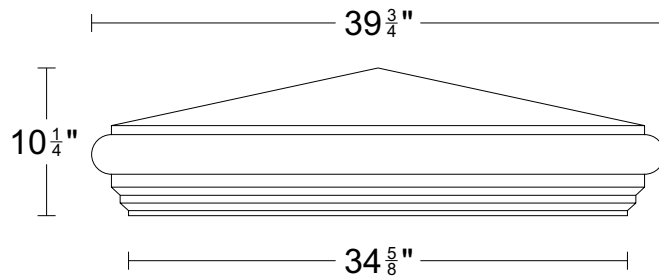
**PC16-29X11**

## Pier Caps

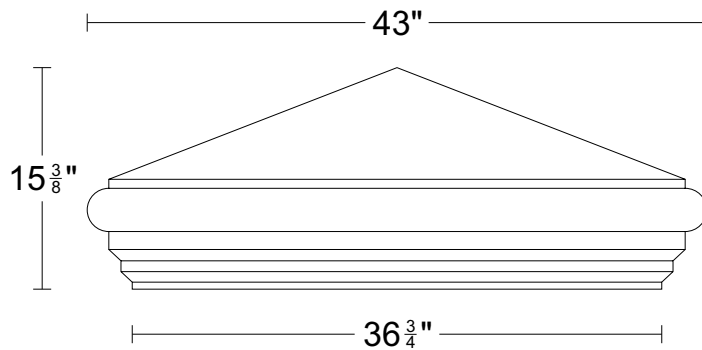
Product Code: PC16



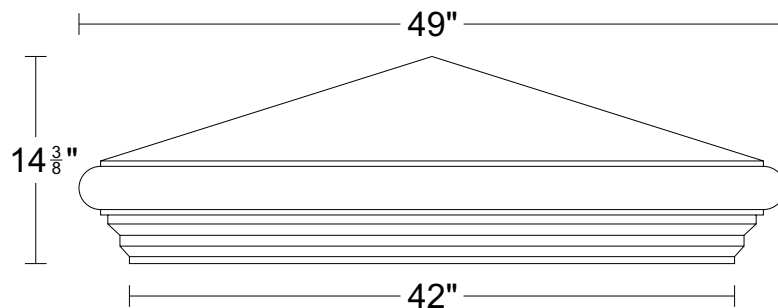
PC16-29X12



PC16-34



PC16-36



PC16-42