

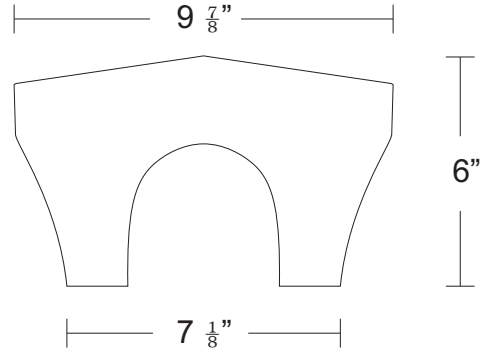
TEL 916-386-1430
FAX 916-386-0605

HANDALSTONE

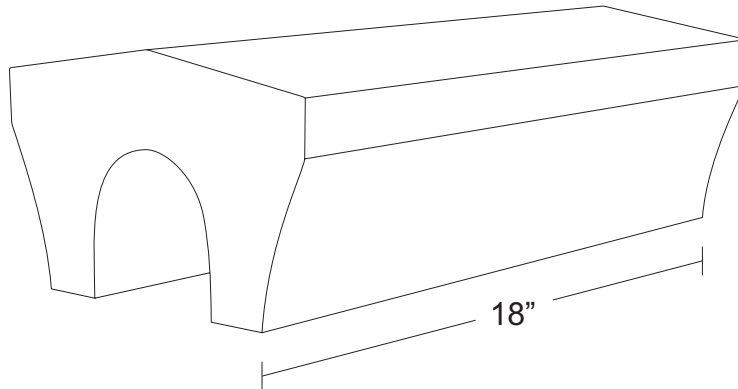
Handalstone@sbcglobal.net
www.handalstone.com

Wall Caps

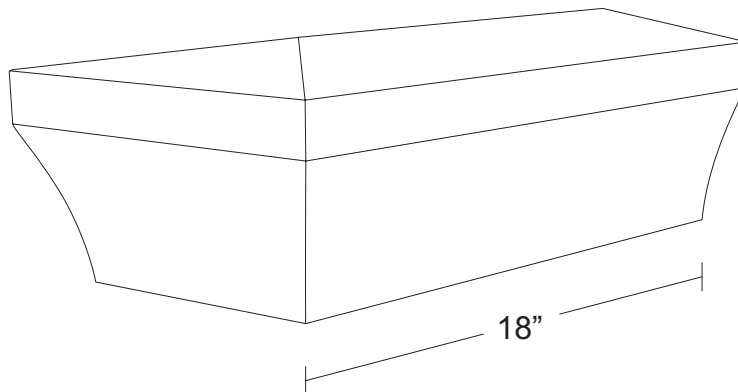
Product Code: WC516



WC516-7



WC516-7-S



WC516-7-E