

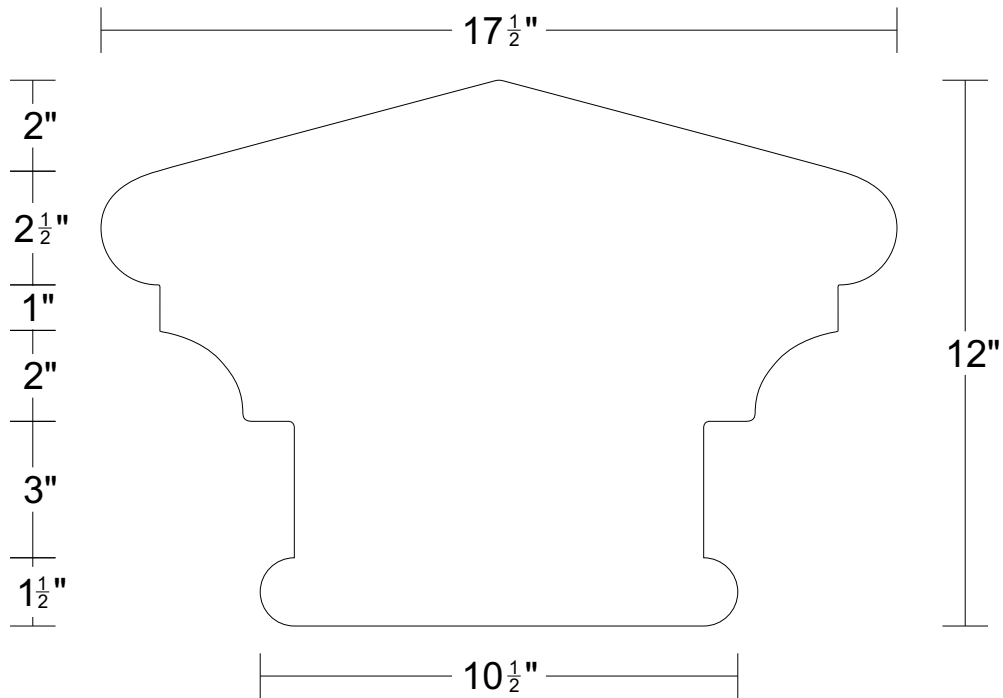
TEL 916-386-1430
FAX 916-386-0605

HANDALSTONE

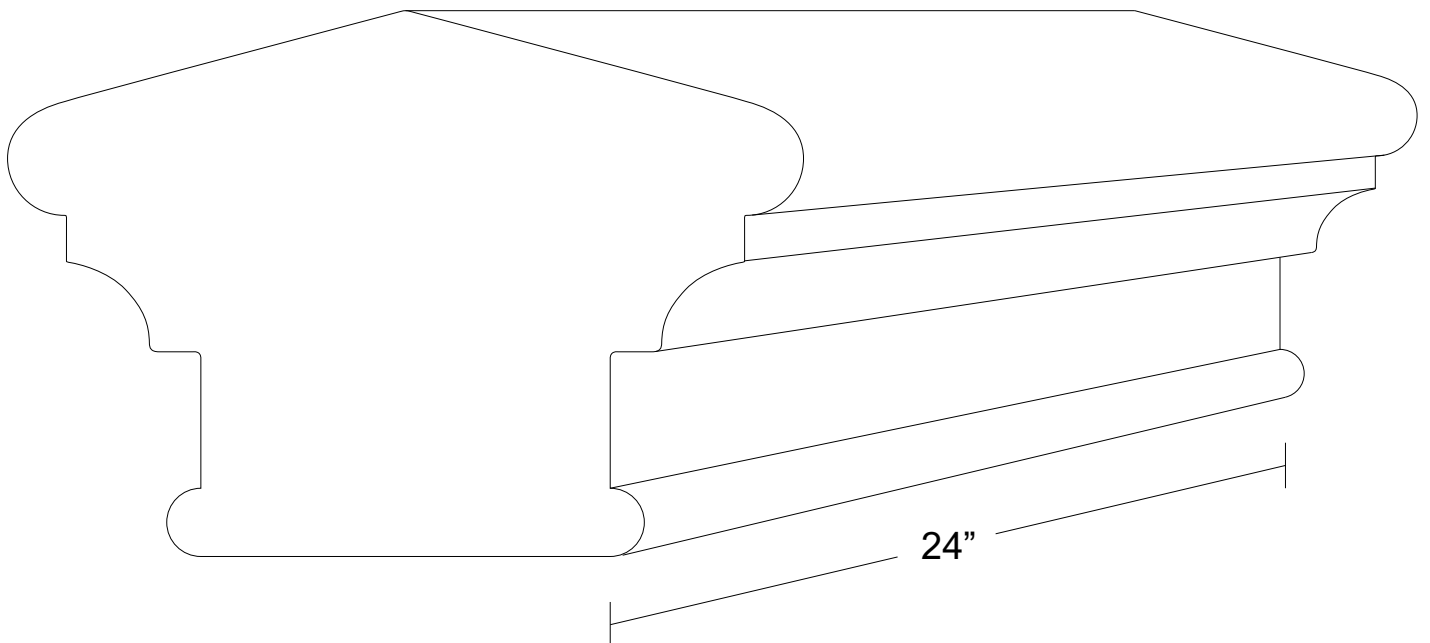
Handalstone@sbcglobal.net
www.handalstone.com

Wall Caps

Product Code: WC519



WC519-10



WC519-10-S