

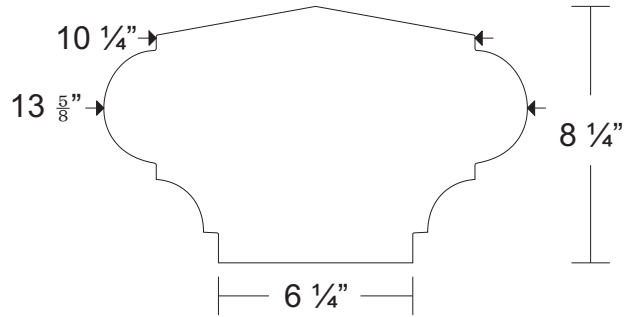
TEL 916-386-1430
FAX 916-386-0605

HANDALSTONE

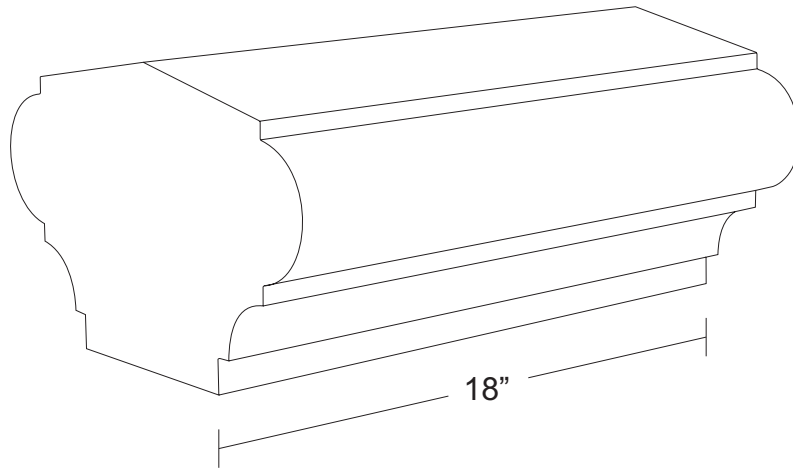
Handalstone@sbcglobal.net
www.handalstone.com

Wall Caps

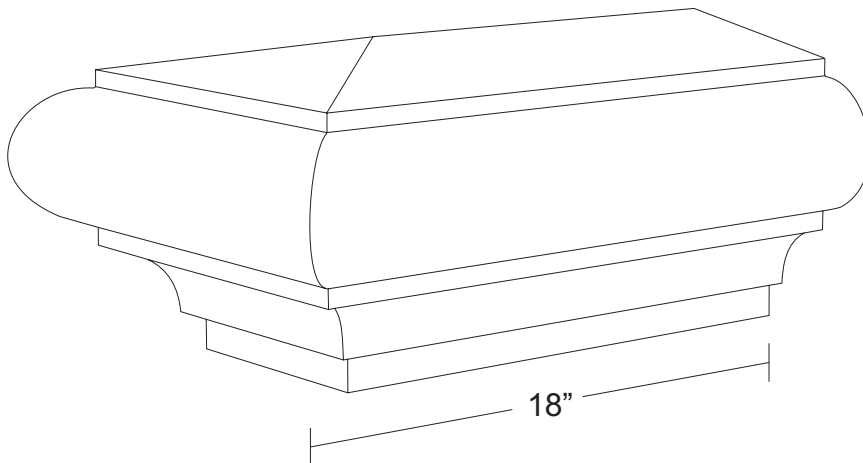
Product Code: WC520



WC520-6.25



WC520-6.25-S



WC520-6.25-E