

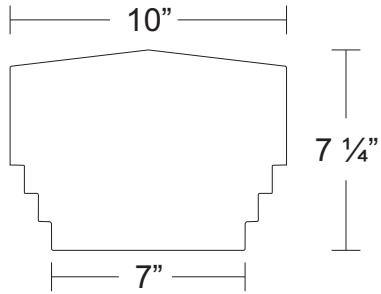
TEL 916-386-1430  
FAX 916-386-0605

**HANDALSTONE**

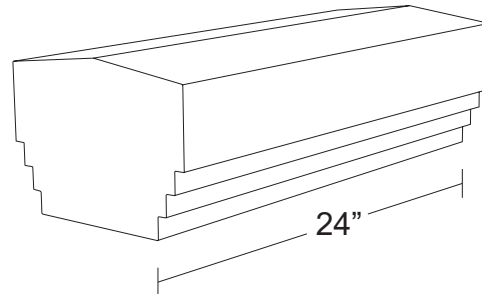
Handalstone@sbcglobal.net  
www.handalstone.com

## Wall Caps

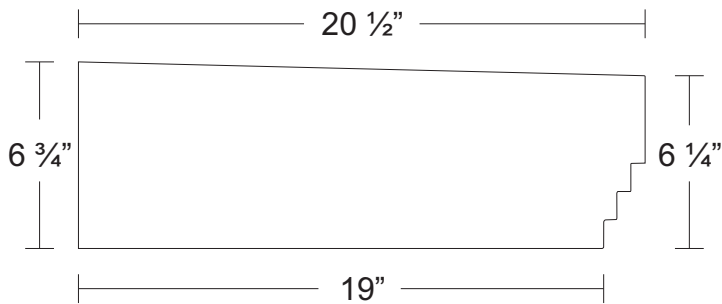
Product Code: WC521



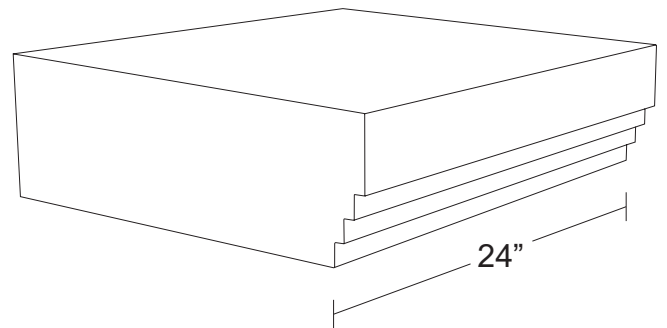
WC521-7



WC521-7-S



WC521-7-C Profile



WC521-7-C