

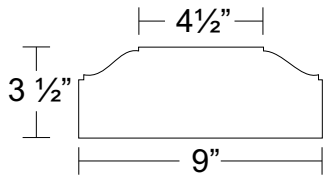
TEL 916-386-1430  
FAX 916-386-0605

**HANDALSTONE**

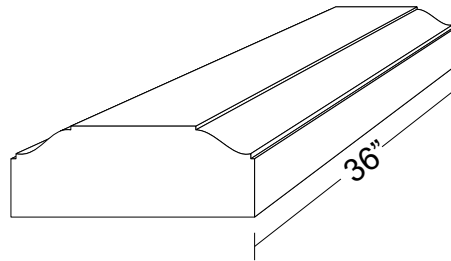
Handalstone@sbcglobal.net  
www.handalstone.com

## Wall Caps

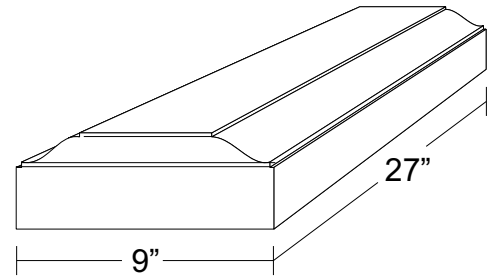
Product Code: WC63



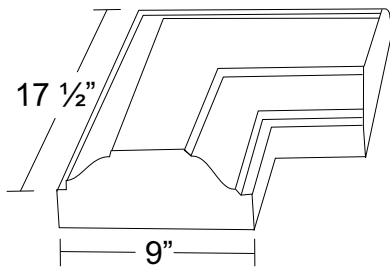
WC63-9



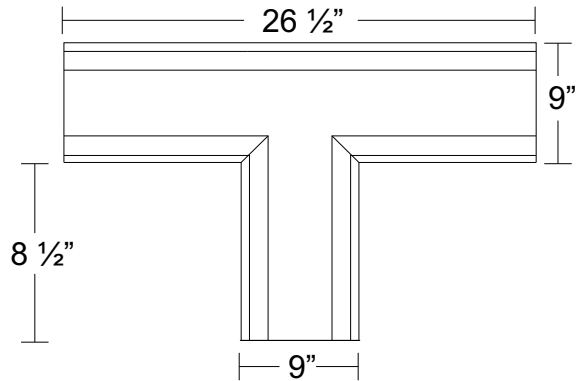
WC63-9-S



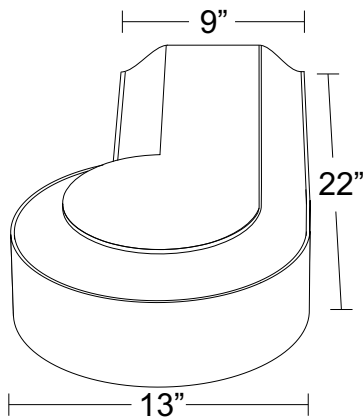
WC63-9-E



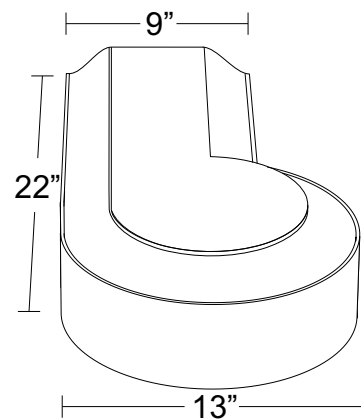
WC63-9-C



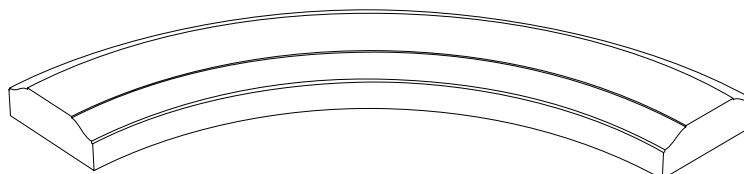
WC63-9-T



WC63-9-LR



WC63-9-RR



WC63-9-R