

TEL 916-386-1430
FAX 916-386-0605

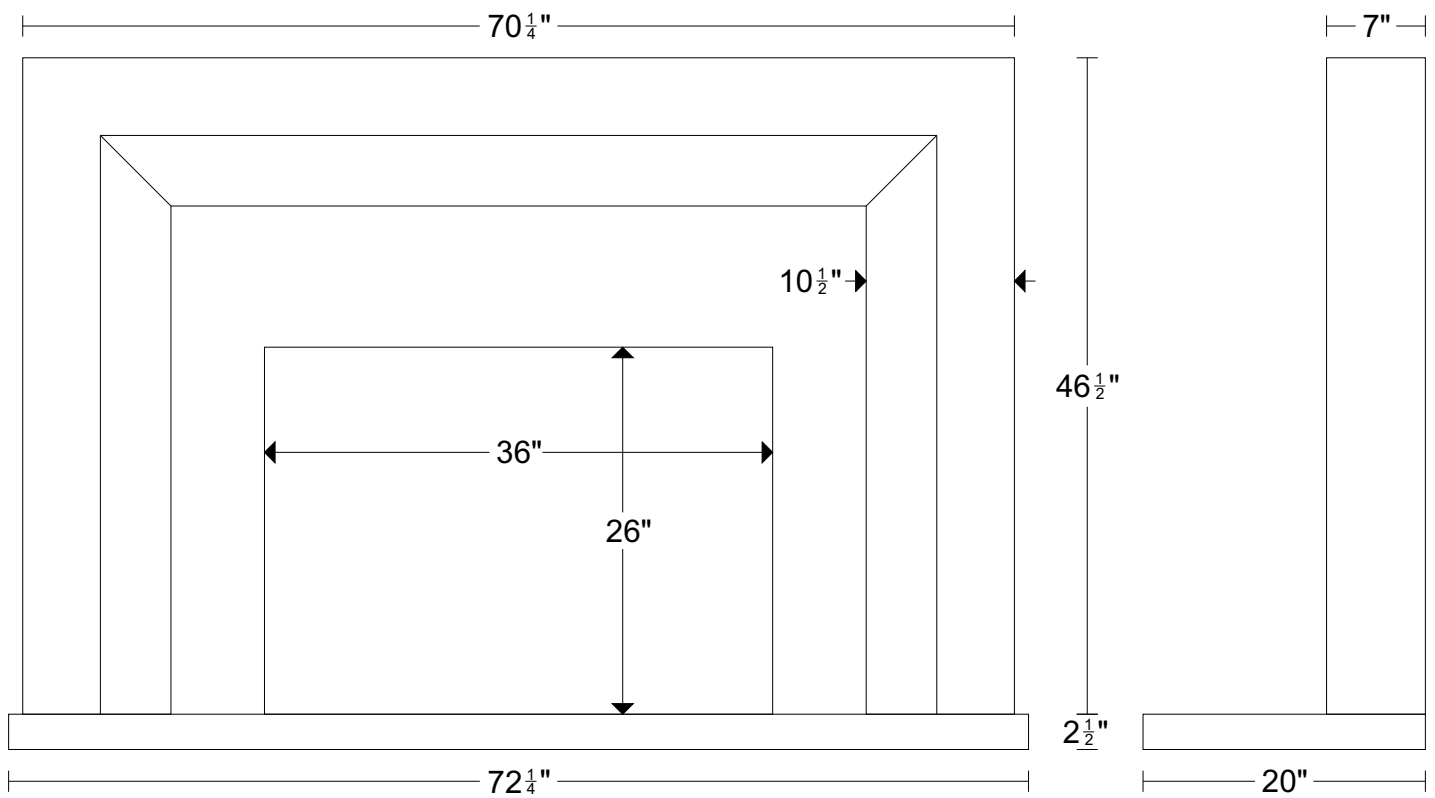
HANDALSTONE

Handalstone@sbcglobal.net
www.handalstone.com

Fireplace Mantels

Product Code: FS60

Adjustable width and height



Profile

