

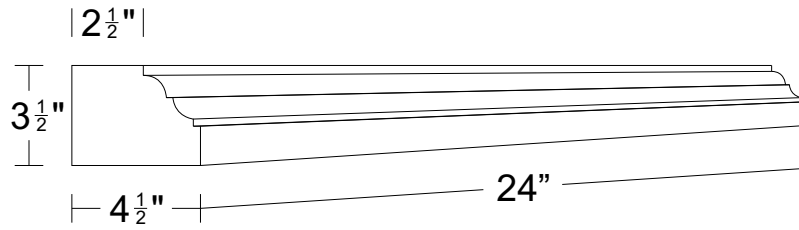
TEL 916-386-1430
FAX 916-386-0605

HANDALSTONE

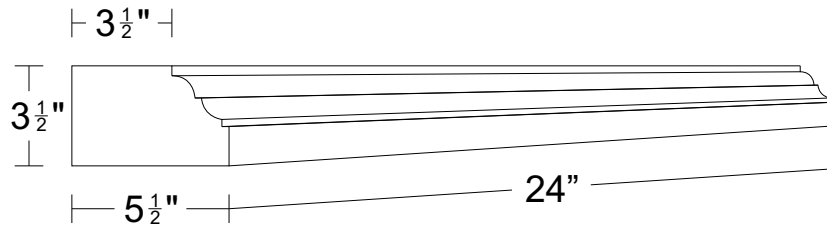
Handalstone@sbcglobal.net
www.handalstone.com

Moulding

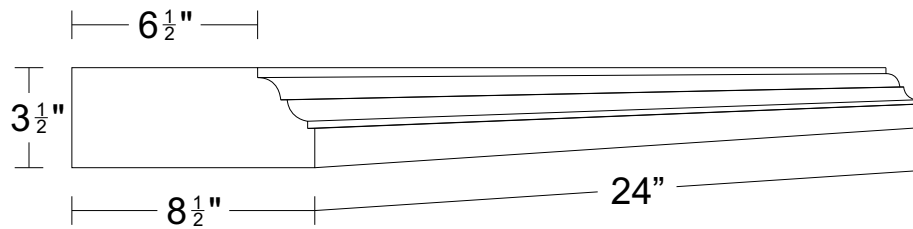
Product Code: M50



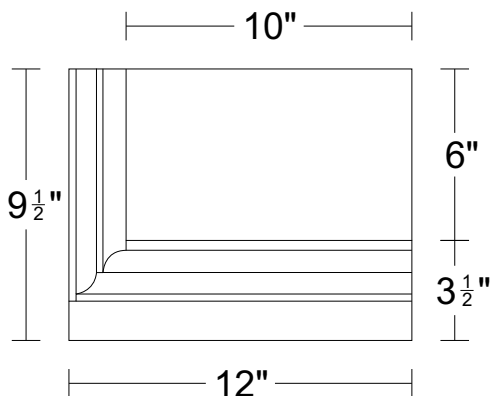
M50-2-S



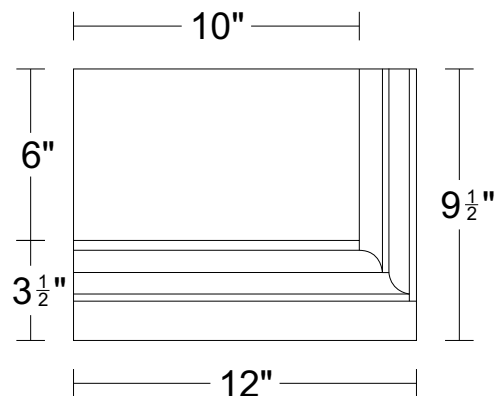
M50-3-S



M50-6-S



M50-6x12-LR



M50-6x12-RR