

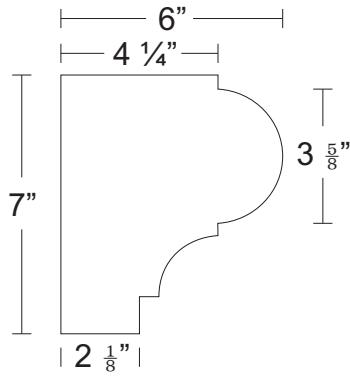
TEL 916-386-1430
FAX 916-386-0605

HANDALSTONE

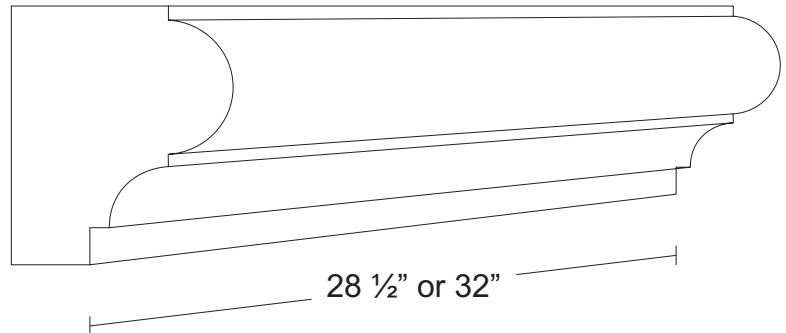
Handalstone@sbcglobal.net
www.handalstone.com

Molding

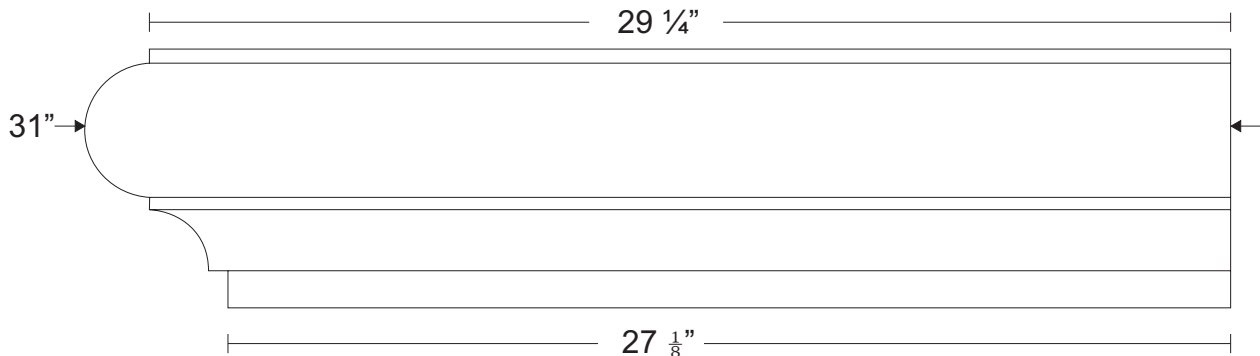
Product Code: M502



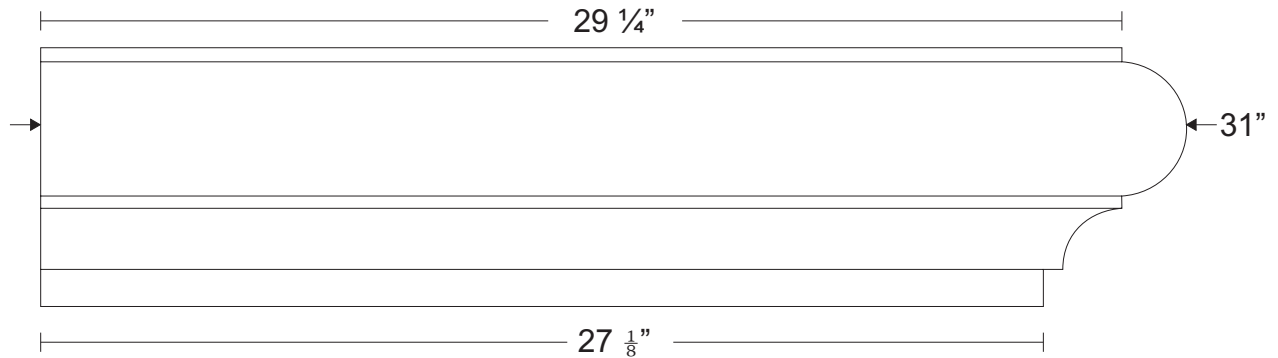
M502-4



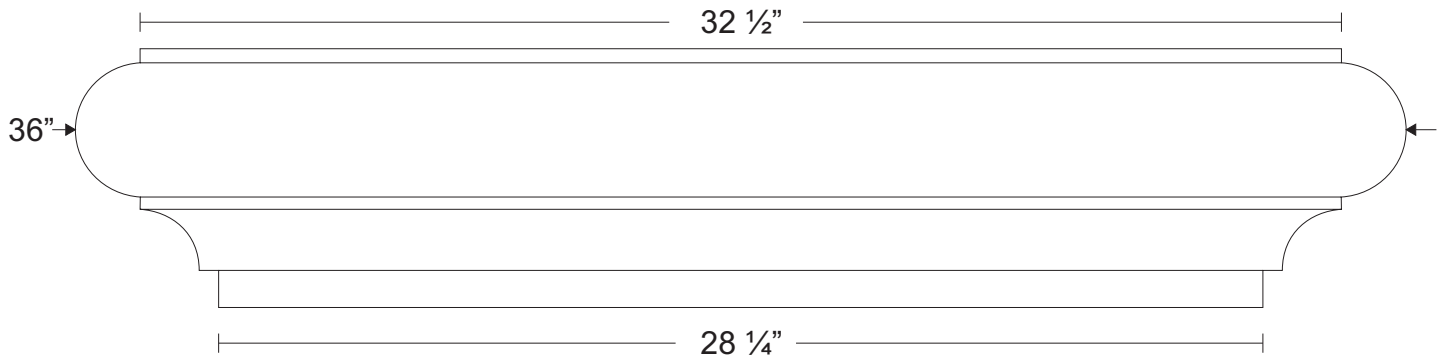
M502-4-S



M502-4-LR



M502-4-RR



M502-4-DR