

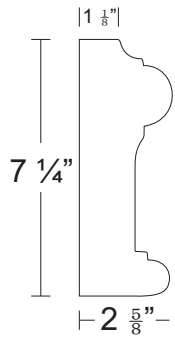
TEL 916-386-1430
FAX 916-386-0605

HANDALSTONE

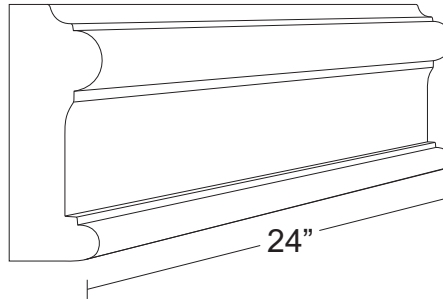
Handalstone@sbcglobal.net
www.handalstone.com

Molding

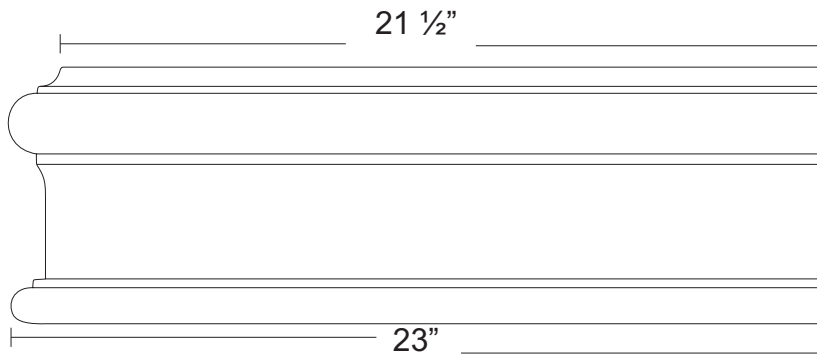
Product Code: M503



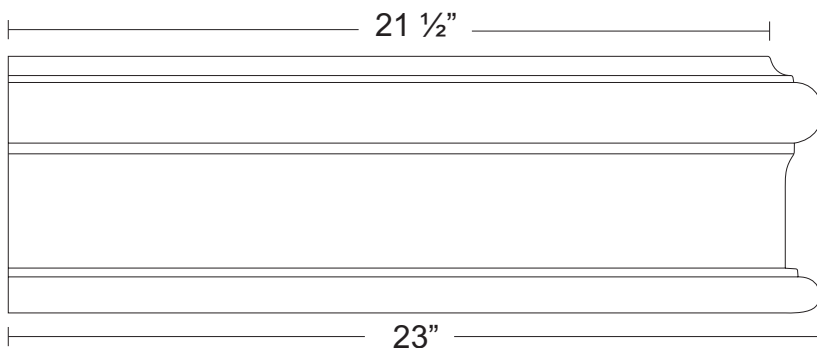
M503-2.5



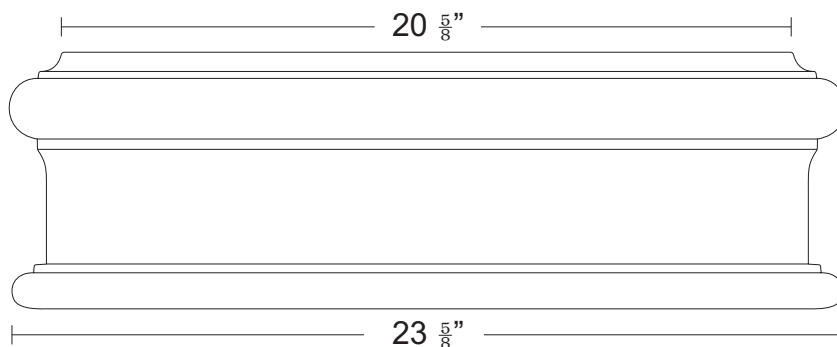
M503-2.5-S



M503-2.5-LR



M503-2.5-RR



M503-2.5-DR